

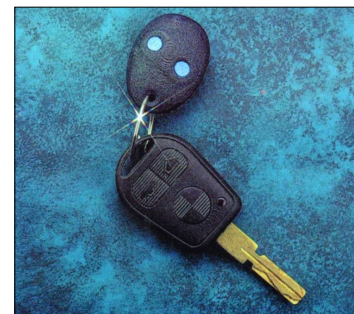
ROLLING CODE RADIO REMOTE CONTROLS

The rolling code transmitters offer more than 18 billion of billion combinations that change every time the transmitter communicates with its receiver ensuring the immunity from all types of signals and absence of undesired operations.

Transmitters from 1 to 4 channels SAW 433,92 MHz

CODE	DESCRIPTION	FREQUENCY	DIMENSIONS (mm)		
			A	B	C
		MHz			
B.RO STAR	Micro transmitter 2 channels	433,92	42	31	16
B.RO1WN	Mini transmitter 1 channel	433,92	68	41	17
B.RO2WN	Mini transmitter 2 channels	433,92	68	41	17
B.RO4WN	Mini transmitter 4 channels	433,92	68	41	17

TRANSMITTERS



This family of transmitters are the answer in the most advanced and secure radio activation, with design, technology and security. B. RO STAR is a very small transmitter, which provides, through its 18 billion of billion combinations, the inviolability and then certainty can not be cloned.

Series B. RO_ WN in addition to offering the same safety features of B. STAR RO uses a series of features that make it unique such as the battery warning indicator or the inhibition of transmission when it lasts more than 10 sec., preventing the possibility of running down the battery in connection with false moves.

Receivers from 1 to 4 channels SAW 433,92 MHz

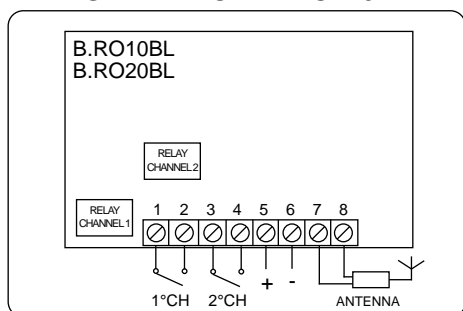
CODE	DESCRIPTION	FREQUENCY	DIMENSIONS (mm)		
			A	B	C
		MHz			
B.RO10BL	receiver 1 canale-voltag.12/24Vac-Vdc	433,92	125	55	45
B.RO20BL	receiver 2 channels-voltag.12/24Vac-Vdc	433,92	125	55	45
B.RO40W	receiver 1+3 channels-voltag.12/24Vac-Vdc	433,92	190	160	68
B.ROD40W	receiver 4+1 canale- voltag.12/24Vac-Vdc	433,92	190	160	68
B.RO1000	memory 1000 tx	-	22	14	10
AR1	relay module monostable	-	22	19	15
ART1	relay module with timer	-	28	19	15
B.ROBASICW	Programmer/receiver	-	-	-	-
B.ROSW1	Software for installation management	-	-	-	-
PRO300/433	antenna	433,92	L= mm		

RECEIVERS

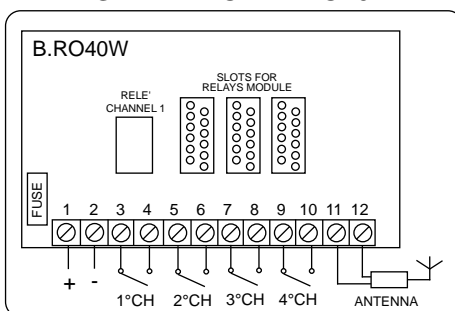


All receivers have the microprocessors and well-developed software, advanced features with high security, the system Rollercode is easy to use and install, the receivers are all self-learning and impenetrable with more than 18 billion billion combinations, they are part of a complete system that can automate a single user or a powerful access control including remote control. The series B.RO10BL and B.RO20BL is provided 1 or 2 channels that can be either monostable, bistable and timed, the selection is via dip switches. The first channel of **B.RO40W** is fixed and monostable, the other 3 channels can be inserted into the slots and it is possible to select the desired function, monostable or bistable relay with the module AR1 or timed relay with the module ART1. The B.ROD40W offers four channels that can also be programmed as the monostable, bistable or timed; also offers a fifth channel (anti-panic) that is activated when any button is pressed on the transmitter for at least 10 seconds. A three digit display allows easy programming of the receiver and transmitter learning. All receivers have the ability to store up to 250 transmitters in the B.RO250 memory module and up to 1000 transmitters in the B.RO1000 memory module, and they have a LED for radio-diagnosis to detect the presence of disorders that can affect the proper operation. The special software allows to store, delete and recode easily one or more of its transmitters. The programmer / receiver code B. ROPROW may be connected to PC and modem and the software for managing installations code B.ROSW1 may examine access, keep under control, enable or disable each user independently or manage remote installations.

INSTALLATION B.ROx20BL



INSTALLATION B.RO40W



INSTALLATION B.ROD40W

